

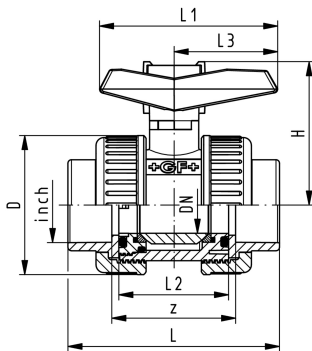
Ball valve type 375 PVC-U
With solvent cement sockets Inch ASTM
Inclusive 2 threaded valve ends NPT up to 2" -DN50

Model:

- True double union safe block ball valve
- Ball seals PTFE
- Handle includes integrated tool for ball seat adjustment
- Very compact dimensions
- z-dimension, valve end and union nut are not compatible with type 546
- Combo valve ends reduce stock positions
- Ln : total valve length with threaded ends NPT

Range of use:

- Basic industrial applications without automation



Size (inch)	DN (mm)	PN (bar)	kv-value ($\Delta p=1$ bar) (L/min)	EPDM Code	SP	Weight (kg)	FKM Code	SP	Weight (kg)
3/8	10	16	71	161 375 001	1	0.130	161 375 016	1	0.130
1/2	15	16	185	161 375 002	1	0.160	161 375 017	1	0.160
3/4	20	16	350	161 375 003	1	0.245	161 375 018	1	0.245
1	25	16	700	161 375 004	1	0.355	161 375 019	1	0.355
1 1/4	32	16	1000	161 375 005	1	0.518	161 375 020	1	0.518
1 1/2	40	16	1600	161 375 006	1	0.846	161 375 021	1	0.846
2	50	16	3100	161 375 007	1	1.414	161 375 022	1	1.414
2 1/2	65	10	5000	161 375 008	1	2.201	161 375 023	1	2.201
3	80	10	7000	161 375 009	1	3.416	161 375 024	1	3.416
4	100	10	11000	161 375 010	1	5.959	161 375 025	1	5.959

Size (inch)	D (mm)	H (mm)	L (mm)	Ln (mm)	L1 (mm)	L2 (mm)	L3 (mm)	z (mm)
3/8	50	53	88	79	67	42	40	48
1/2	50	53	92	79	67	42	40	48
3/4	59	60	104	92	77	48	45	53
1	68	67	117	105	87	54	51	58
1 1/4	80	79	132	120	102	62	59	68
1 1/2	94	90	148	126	119	72	70	78
2	115	107	169	150	146	86	84	93
2 1/2	145	129	206		179	110	103	118
3	168	143	242		209	128	120	140
4	210	169	282		250	150	141	160

The technical data are not binding. They neither constitute expressly warranted characteristics nor guaranteed properties nor a guaranteed durability. They are subject to modification. Our General Terms of Sale apply.

Georg Fischer Piping Systems Ltd, Postfach, CH-8201 Schaffhausen/Switzerland

Phone +41 -(0)52-631 1111

e-mail: info.ps@georgfischer.com

Internet: <http://www.gfps.com>